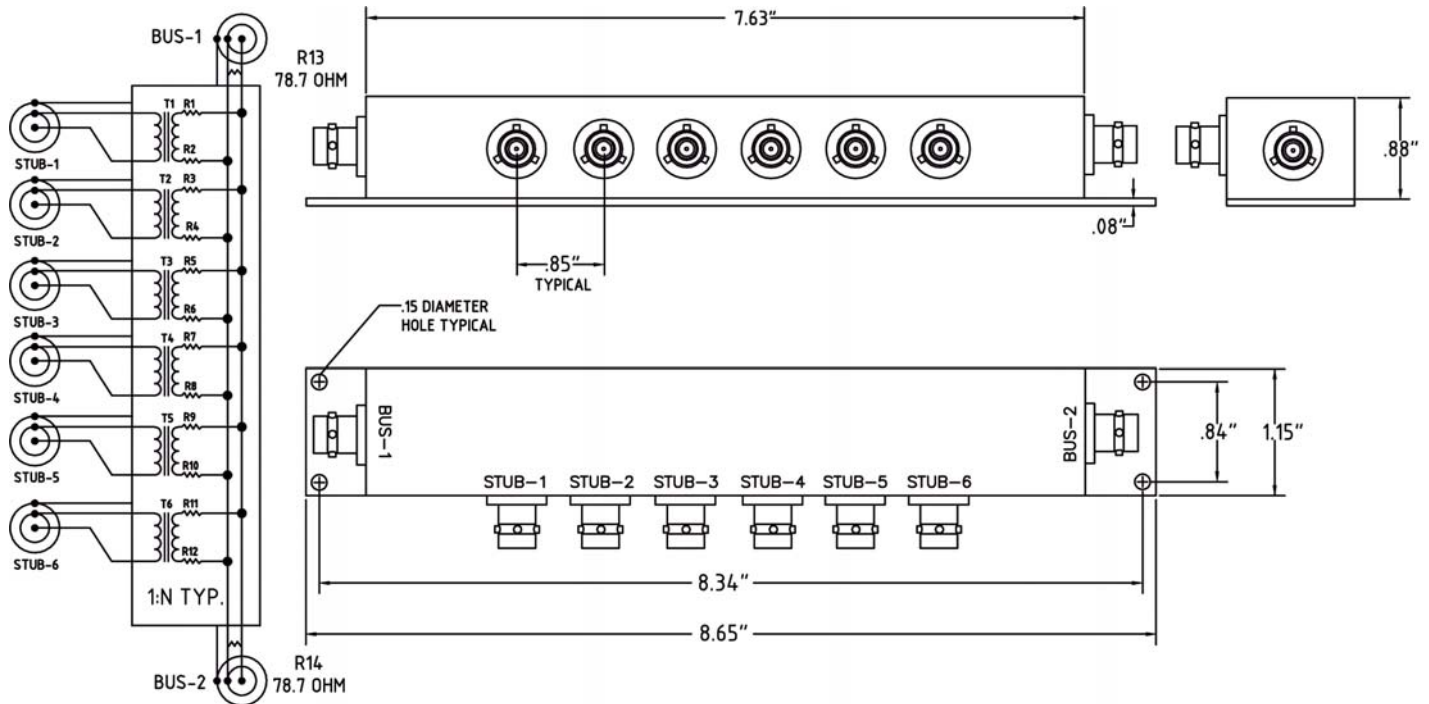


6-STUB BUS COUPLER



MILESTEK PART NUMBER	TRANSFORMER RATIO T1-T6	R1-R12 STUB RESISTOR VALUE	R13 BUS RESISTOR VALUE	R14 BUS RESISTOR VALUE	BUS 1 CONNECTOR TRB 3-LUG	BUS 2 CONNECTOR TRB 3-LUG	STUB CONNECTOR TRB 3-LUG
90-50206	1.41:1	59 ohm, 2W, 1%	n/a	n/a	10-06592	10-06592	10-06592
90-50216	1.41:1	59 ohm, 2W, 1%	78.7 ohm, 2W, 1%	n/a	10-06592	10-06592	10-06592
90-50536	1:1	59 ohm, 2W, 1%	n/a	n/a	10-06592	10-06592	10-06592
90-50546	1:1	59 ohm, 2W, 1%	78.7 ohm, 2W, 1%	n/a	10-06592	10-06592	10-06592
90-50636	1:1	54.9 ohm, 2W, 1%	n/a	n/a	10-06592	10-06592	10-06592
90-50646	1:1	54.9 ohm, 2W, 1%	78.7 ohm, 2W, 1%	n/a	10-06592	10-06592	10-06592
90-51216	1.41:1	59 ohm, 2W, 1%	78.7 ohm, 2W, 1%	n/a	10-06592	n/a	10-06592
90-51546	1:1	59 ohm, 2W, 1%	78.7 ohm, 2W, 1%	n/a	10-06592	n/a	10-06592
90-51646	1:1	54.9 ohm, 2W, 1%	78.7 ohm, 2W, 1%	n/a	10-06592	n/a	10-06592
90-52216	1.41:1	59 ohm, 2W, 1%	78.7 ohm, 2W, 1%	n/a	10-06592	n/a	10-06592
90-52546	1:1	59 ohm, 2W, 1%	78.7 ohm, 2W, 1%	n/a	10-06592	n/a	10-06592
90-52646	1:1	54.9 ohm, 2W, 1%	78.7 ohm, 2W, 1%	n/a	10-06592	n/a	10-06592
90-50226	1.41:1	59 ohm, 2W, 1%	78.7 ohm, 2W, 1%	78.7 ohm, 2W, 1%	n/a	n/a	10-06592
90-50556	1:1	59 ohm, 2W, 1%	78.7 ohm, 2W, 1%	78.7 ohm, 2W, 1%	n/a	n/a	10-06592
90-50656	1:1	54.9 ohm, 2W, 1%	78.7 ohm, 2W, 1%	78.7 ohm, 2W, 1%	n/a	n/a	10-06592

1.0 ELECTRICAL SPECIFICATIONS: IAW MIL-STD-1553B

- | | |
|---------------------------|--------------------------------------|
| 1.1 DROOP | 20% MAXIMUM |
| 1.2 OVERSHOOT AND RINGING | +/- 1.0V PK-PK |
| 1.3 TRANSFORMER RATIO | AS NOTED ON TABLE ABOVE |
| 1.4 FAULT PROTECTION | 59 ohm +/- 1%, 2WATT PER MIL-R-39007 |
| 1.5 COMMON MODE REJECTION | -55 dB @ 1 MHz |
| 1.6 NOMINAL UNIT WEIGHT | 9.50 OUNCES (269.32 GRAMS) |

2.0 MECHANICAL SPECIFICATIONS:

- 2.1 HOUSING: DIE CAST A360 ALUMINUM ALLOY. CLEAR ANODIZED AND PAINTED WITH TEXTURE. BAKED ENAMEL, COLOR BLUE.
- 2.2 BASE PLATE: 5052-H32 ALUMINUM, SATIN FINISH.
- 2.3 CONNECTOR 10-06592 OR EQUIVALENT
- 2.4 ENCAPSULATING COMPOUND: EPOXY DP-460

3.0 ENVIRONMENTAL:

- 3.1 OPERATING TEMPERATURE -55 C TO + 125 C

Milestek®

MILESTEK CORPORATION
1506 INTERSTATE 35 WEST
DENTON, TX 76207
PHONE: 866.524.1553
FAX: 940.591.7086

PLEASE VISIT www.milestek1553.com FOR ADDITIONAL INFORMATION

DRAWN BY: MIKE GREENHILL	APPROVED BY: ROBERT PEREZ	DATE 08/07/09
TITLE: 6 STUB COUPLERS	CAGE CODE: 4Z977	
DRAWING NO: 9056	ISO 9001: 2008 CERTIFIED	REV: A
SCALE: NOT TO SCALE	TOLERANCE: <.1+/.1 .01/>.1+/- .1	SHEET: 1 OF 1