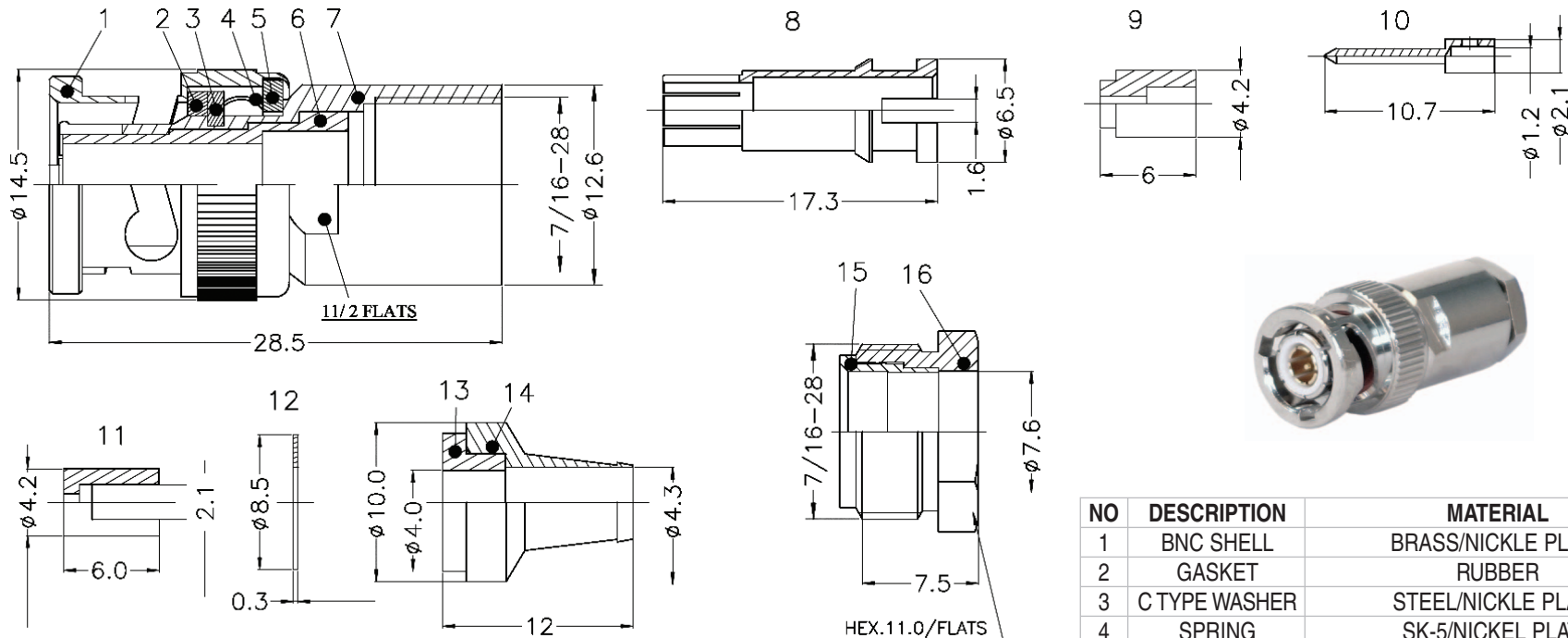


PART NUMBER	CABLE
10-06030-210	30-02001, TWC-78-2, 9272
10-06030-231	30-02003, TWC-78-1
10-06030-206	M17/176-00002
10-06030-241	30-02002, TWAC-78-1F2



NO	DESCRIPTION	MATERIAL
1	BNC SHELL	BRASS/NICKLE PLATE
2	GASKET	RUBBER
3	C TYPE WASHER	STEEL/NICKLE PLATE
4	SPRING	SK-5/NICKEL PLATE
5	WASHER	STEEL/NICKLE PLATE
6	INSULATOR	TEFLON
7	BODY	BRASS/NICKEL PLATE
8	CONTACT	PHOSPHOR BRONZE/GOLD PLATE 30£g
9	INSULATOR	TEFLON
10	CONTACT	BRASS/GOLD PLATE 30£g
11	INSULATOR	TEFLON
12	WASHER	PVC
13	INSULATOR	TEFLON
14	HAT	BRASS/NICKEL PLATE
15	CLAMP	BRASS/NICKEL PLATE
16	NUT	BRASS/NICKEL PLATE

UNLESS OTHERWISE SPECIFIED TOLERANCES:
0.5-5 = ±0.2
5-30 = ±0.4
30-120 = ±0.6
120-315 = ±1

Milestek® MilesTek Corporation
1506 Interstate 35 West
Denton, Tx 76207

Telephone: 940.484.9400 • Toll Free: 866.524.1553
Fax: 940.591.7086 • Web: www.milestek1553.com

PART NUMBER: 10-06030-XXX	CAGE CODE: 4Z977	APPROVED	MARK HEARN
TITLE: TRB SOLDER/CLAMP CABLE PLUG		CHECKED	ROBERT PEREZ
UNIT: mm	DATE: 06/21/2005	REV:	SHEET: 1/1
		ISO 9001: 2000 CERTIFIED	